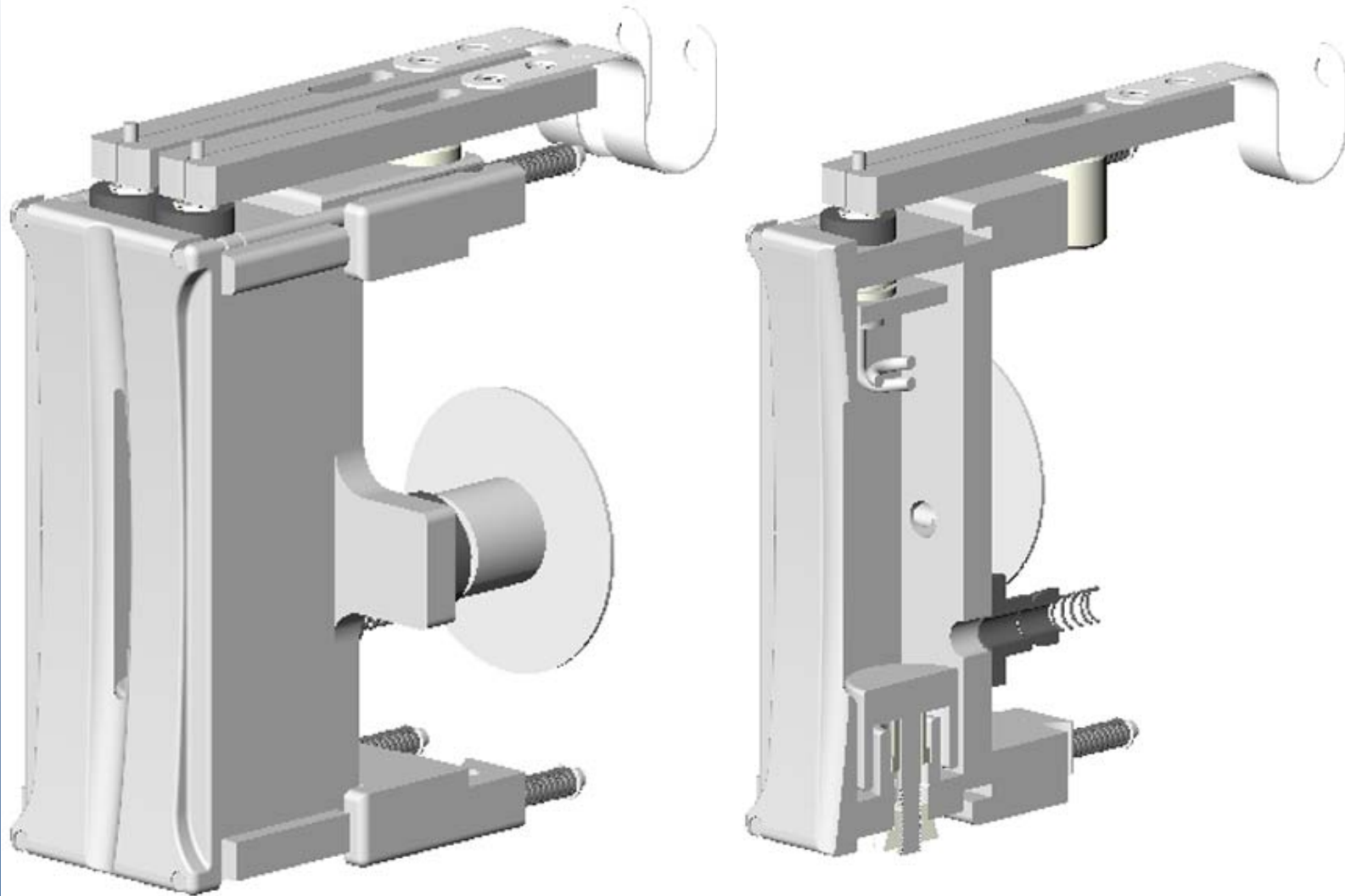


SYSTEMS

Replacement Assemblies and Components for Axcelis NV 10/20 Series Implanters

#	Description
100	Freeman Ion Source Components
105	Bernas Ion Source Components
110	Arc Chamber Components



760.438.9090 - phone
760.438.3923 - fax
sales@egraph.com
www.egraph.com

E/G Electro-Graph, Inc.
2365 Camino Vida Roble
Carlsbad, CA 92011-1505
USA

ELECTRO-GRAPH®