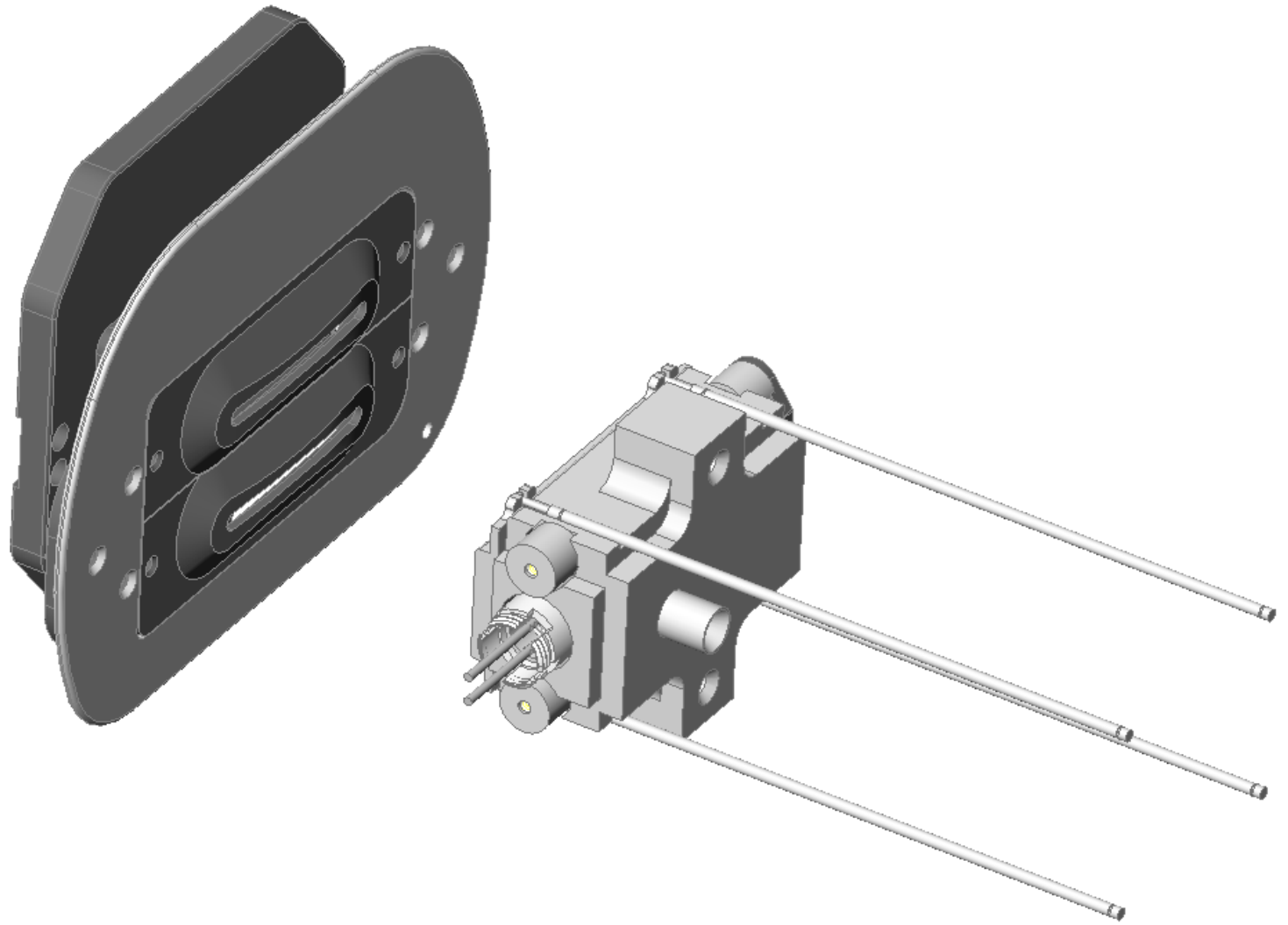


SYSTEMS

Replacement Assemblies and Components for Axcelis GSDIII/HC3/ULTRA Implanters

#	Description
100	Ion Source Components
105	Suppression Electrode Assembly
110	Ground Electrode Assembly



760.438.9090 - phone
760.438.3923 - fax
sales@egraph.com
www.egraph.com

E/G Electro-Graph, Inc.
2365 Camino Vida Roble
Carlsbad, CA 92011-1505
USA

ELECTRO-GRAPH®