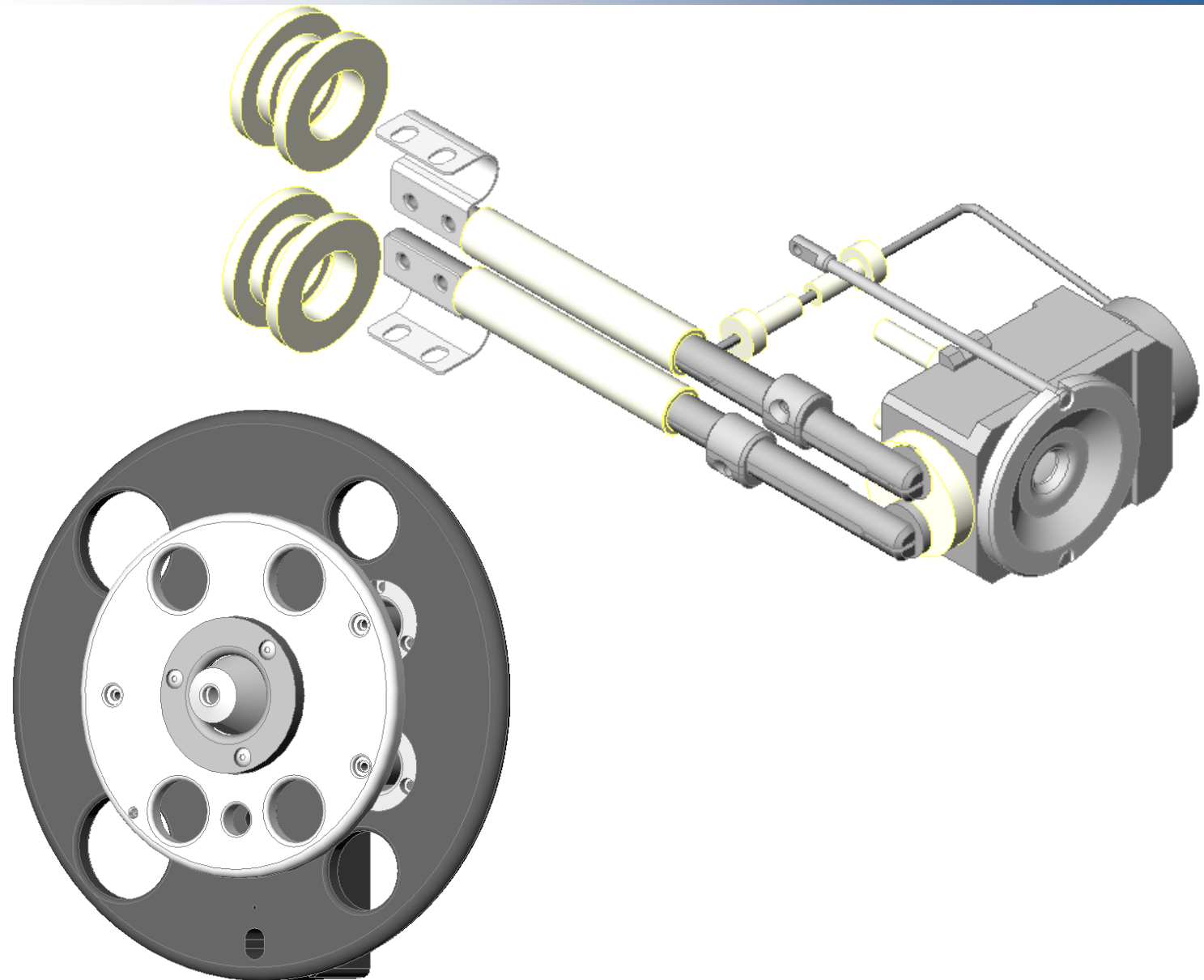


SYSTEMS

Replacement Assemblies and Components for Varian Genus/Kestrel Series Implanter

#	Description
100	Genus/Kestrel Source
105	Genus/Kestrel Extraction Assembly



760.438.9090 - phone
760.438.3923 - fax
sales@egraph.com
www.egraph.com

E/G Electro-Graph, Inc.
2365 Camino Vida Roble
Carlsbad, CA 92011-1505
USA

ELECTRO-GRAPH®