

APP NOTE

E220 / E500 Liner Source

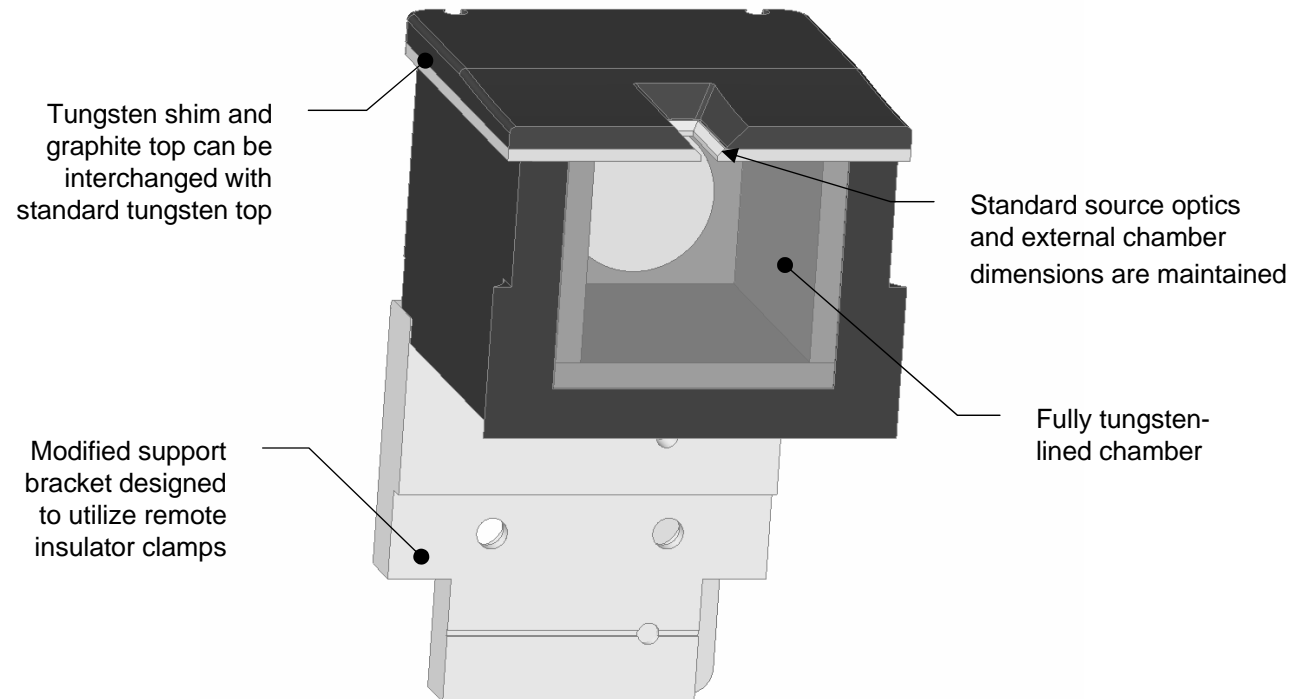
- **Reduced COO**
- **Bolt on compatible**
- **Fully Dense, High Purity Tungsten**
- **High Purity Graphite**
- **Standard Operation**
- **Vaporizer or SDS compatible**

The Electro-Graph liner concept is a bolt-on upgrade to standard Varian E220 and E500 series arc chambers. The tungsten-lined chamber is configured to make use of standard arc chamber components such as filaments and retaining rods, and it is designed for operation using standard source parameters. The design is available for use with vaporizer, SDS, and non-vaporizer configurations.

A monolithic, high purity, graphite arc chamber provides a low cost external shell for 1/8" thick rigid tungsten liners and shields. The tungsten shim and graphite top plate reduces cost, provides standard source optics, and can be interchanged with the standard (full tungsten) top plate. Modified support brackets and gas tube are required components of the Solid ion source.

The primary benefit of the solid chamber lies in the user's ability to reduce costs associated with full-thickness, solid tungsten sidewalls, base, and top without loss of process integrity or source performance.

Liner Source Components



FORWARD

