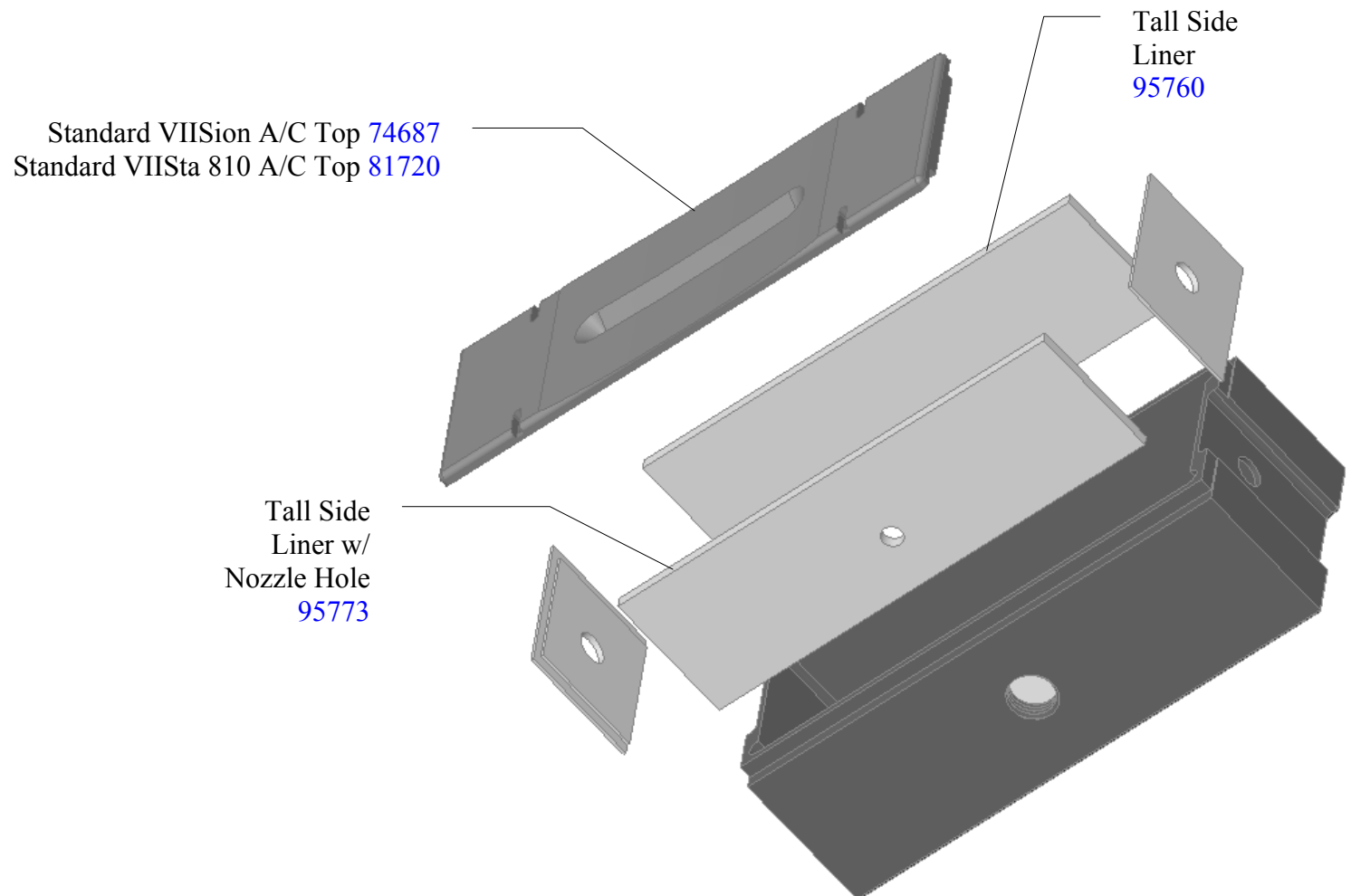


App. Note

Replacement Solid VIISion & VIISta 810 Side Liners with standard Arc Chamber Tops

- For use with standard, single piece arc chamber top and Solid VIISion/VIISta liner source
- Allows for a secure fit and ensures a completely tungsten-lined chamber

When a standard arc chamber top plate is used with the Solid VIISion or VIISta 810 liner source, replacement side walls are necessary to secure the top plate and ensure full tungsten lining in the chamber. The modified side liners, E/G part # [95760](#) and [95773](#), are similar to the existing side liners, except for the overall height. The absence of the tungsten shim liner, when using the standard top, results in a void between the side liner and the top, and this is why heightened side liners are used in conjunction with the standard A/C top plate.



Assembly

- [1.12.105](#) Solid VIISion Liner Source
- [1.13.105](#) Solid VIISta 810 Liner Source



2.12.120-7.25.03

760.438.9090 - phone
760.438.3923 - fax
sales@egraph.com
www.egraph.com

E/G Electro-Graph, Inc.
2365 Camino Vida Roble
Carlsbad, CA 92011-1505
USA

ELECTRO-GRAPH®