

App. Note

Applied Materials 9500, xR, and Quantum Series IHC Arc Chamber Liner Configurations

- Standard utilities and operation
- High purity [materials](#)
- Direct replacement for standard Applied Materials components
- Complete Configuration Support

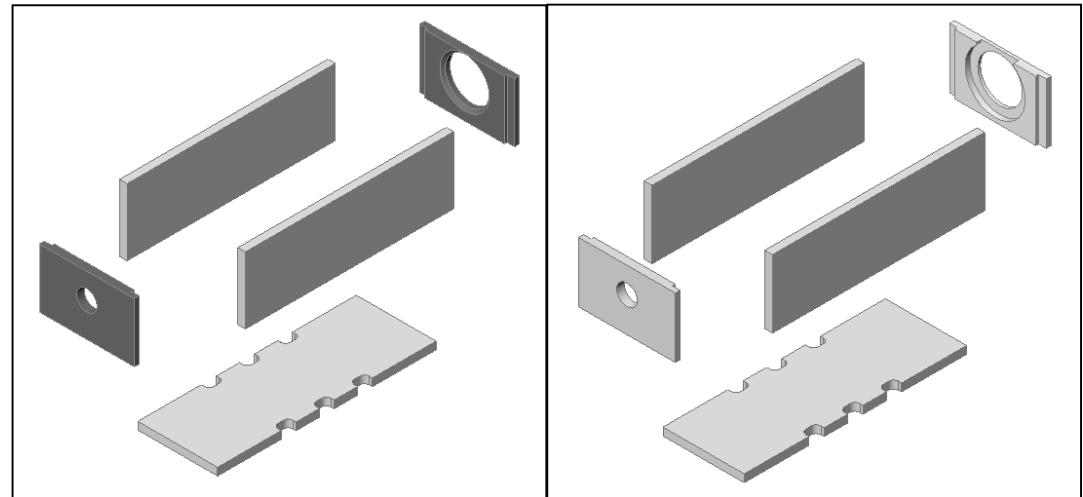
Applied Materials 9500, xR, and Quantum series arc chamber liners are configured based on three basic criteria; source type (i.e. Bernas or IHC), standard or side venting, and liner material. The list below will help you properly set up your ion sources with Electro-Graph components. Note, this list is only necessary if you are unable to cross reference to a specific Electro-Graph manufactured component.

Assemblies

- 1.02.100 IHC Source Components (graphite retainer)
- 1.02.105 IHC Source Components (moly retainer)

Application Note

- 2.02.110 Bernas Liner Configurations



	Graphite End Liner (side venting)		Tungsten End Liner (side venting)	
	Graphite	Tungsten	Graphite	Tungsten
Side Liner	n/a	73205*	n/a	73205*
Base Liner	n/a	73166*	n/a	73166*
End Liner, Cathode	73179*	n/a	n/a	75584
End Liner, Anti-Cathode	73140*	n/a	n/a	75597

*indicates standard component



2.02.109.1-9.5.01

760.438.9090 - phone
760.438.3923 - fax
sales@egraph.com
www.egraph.com

E/G Electro-Graph, Inc.
2365 Camino Vida Roble
Carlsbad, CA 92011-1505
USA

End Liners Chambers

ELECTRO-GRAPH®