

App. Note

Replacement Components for Axcelis GSD Arc Chamber Repeller Configurations

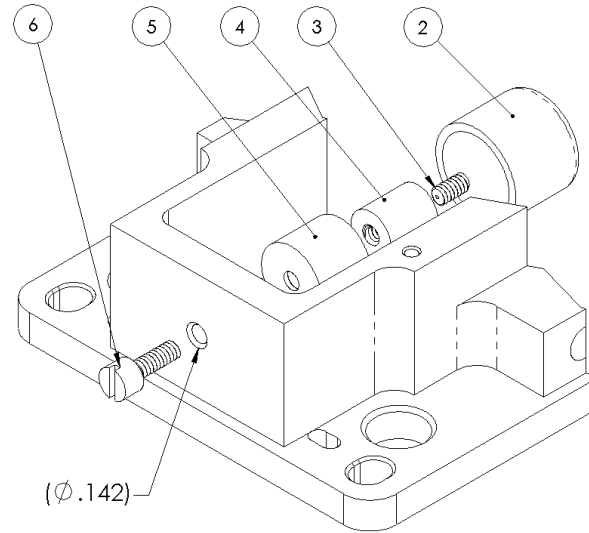
This page shows how the different repeller and arc chamber configurations assemble. Note that the arc chamber in Fig 1 has a smaller repeller mounting hole than in the other two cases. This limits the amount of interchangeability of components between Fig 1 and Fig 2 style sources, even though both are ELS. Fig 3 shows a standard IAS base and repeller. The repellers in figures 2 and 3 can be swapped as your process dictates. The repeller parts shown are unaffected by the use of liners and their respective bases.

Systems

- 1.05.110 IAS Bernas Components
- 1.05.115 ELS IHC Components

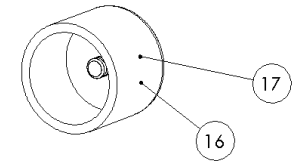
Application Note

- 2.05.140 No Hole Repellers
- 2.05.115.1-02.01.02

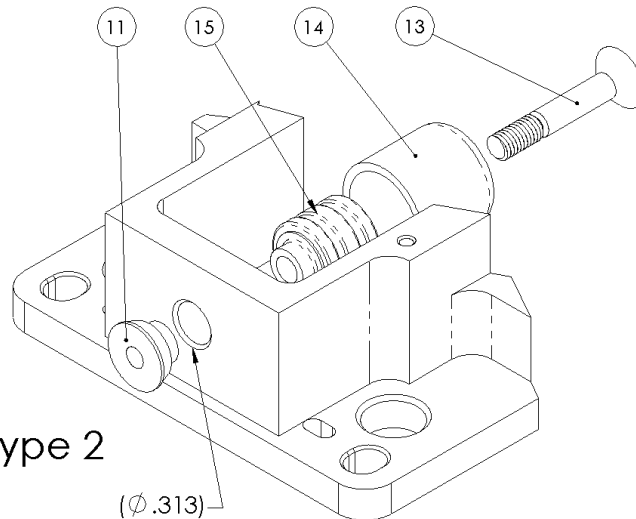


Type 1

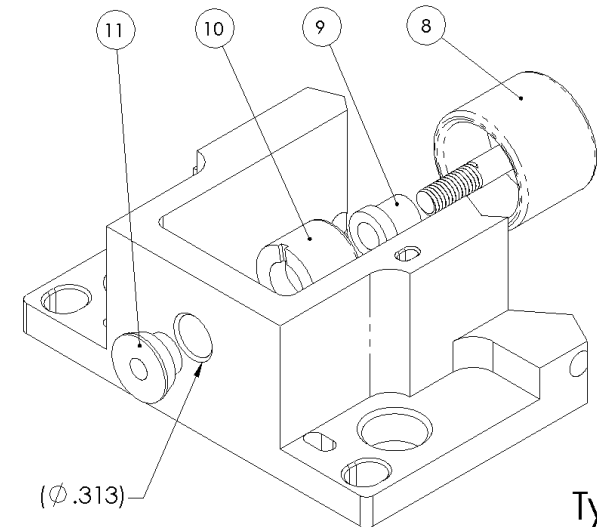
Type 1 Alternate*
Combines 2 & 3



* For more information see the Application Note listed on the left



Type 2



Type 3

Forward

760.438.9090 - phone
760.438.3923 - fax
sales@egraph.com
www.egraph.com

E/G Electro-Graph, Inc.
2365 Camino Vida Roble
Carlsbad, CA 92011-1505
USA

ELECTRO-GRAPH®