

# App. Note

## Replacement Components for Axcelis GSD ELS Ion Source, Liner Version

- Reduced Cost of Ownership
- Standard utilities and operation
- High purity materials
- Direct replacement for standard Axcelis components
- Complete Configuration support

Currently Electro-Graph provides GSD ELS Ion Sources which are completely lined on the inside to avoid unnecessary wear of the surrounding chamber, and they accept all OEM components. By utilizing the graphite chamber and tungsten or molybdenum plate style liners, the lined chamber concept can be used to the fullest extent of its design. This means complete reversibility of the side liners, a gas feed liner which removes the need for a flange seal, and the flexibility of replacing individual pieces instead of the whole unit.

### Assembly

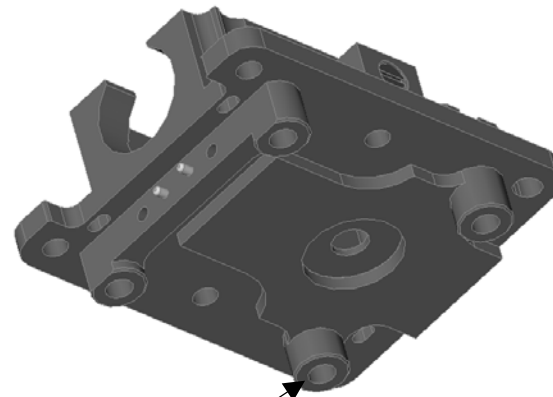
- 1.05.115 ELS Source Components (Top)
- 1.05.120 ELS Source Components (Bottom)
- 1.05.130 ELS2 Cathode Assy.

### Application Notes

- 2.05.113 Liner Installation Instructions
- 2.05.115 GSD Repeller Configurations



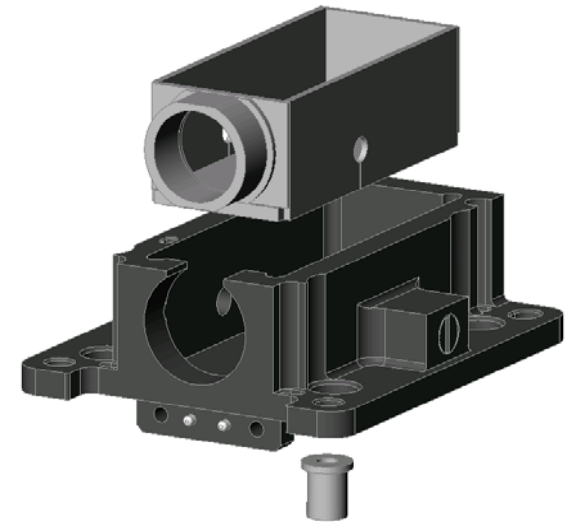
2.05.125.1-3.02.04



Reinforced Arc Chamber with built-in standoffs

**Arc Chambers (lined)**

Reinforced	Vap.	96930
	Non-Vap.	10640
.142 Repeller	Vap.	92536
	Non-Vap.	92562
.313 Repeller	Vap.	92549
	Non-Vap.	92575



**Plate Liners**

	Tungsten	Moly
Vap Side Liners	91925	92094
Non Vap Side Liner	91912	92159
Base Liner	91899	92146
(.313) Repeller End Liner	92081	92133
(.142) Repeller End Liner	92068	92120
Cathode End Liner	92055	92107
Cathode Sleeve Liner	78769	90508
Gas Feed Liner	91990	92172
Vaporizer Style Plug	91769 (Graphite)	
Non-Vaporizer Style Plug	91782 (Graphite)	

760.438.9090 - phone  
760.438.3923 - fax  
sales@egraph.com  
www.egraph.com

E/G Electro-Graph, Inc.  
2365 Camino Vida Roble  
Carlsbad, CA 92011-1505  
USA

**ELECTRO-GRAPH®**