

App. Note

Modified Beam Dump for Varian VIISion & VIISta Implanters

- Reduced COO
- In-system, 15 minute rebuild
- Individual component replacement
- High purity materials
- Standard utilities and operation
- Direct replacement for Varian E17170014

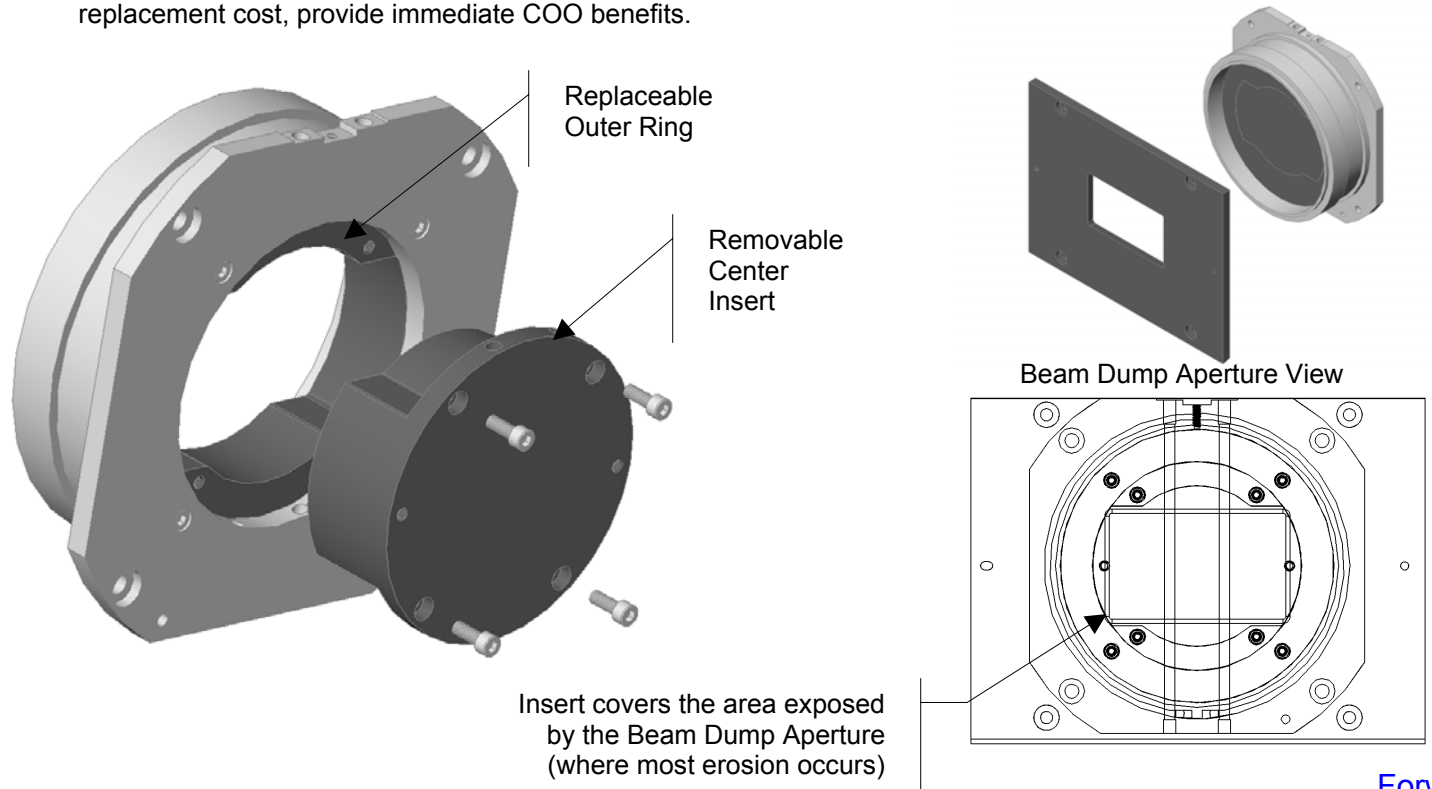
The modified beam dump is a direct replacement upgrade for Varian E17170014. The use of existing cooling and burn-thru utilities is maintained along with the overall dimensions of the housing.

This bolt-on design incorporates a consumable center insert designed for replacement without removal of the housing. The center insert is made of high purity, long life graphite and is designed to provide 100% or more of the standard Beam Dump life. It is also thicker than the standard graphite height, and so, allows for more wear and longer PM intervals.

The primary benefit of the modified beam dump design resides in the users ability to rebuild without removal of the beam dump assembly from the housing assembly. This cuts down PM time and preserves the water seal of the housing assembly. The outer ring is additionally replaceable for long-term operations. Rebuild of the standard Varian design (E17170014) requires a change out of the entire assembly and a relatively complex process to remove, insert, and re-qualify a new center piece. Comparison of individual rebuild costs, losses, related system downtime, and OEM replacement cost, provide immediate COO benefits.

Assembly

1.12.110 Beam Dump Components



Forward

760.438.9090 - phone
760.438.3923 - fax
sales@egraph.com
www.egraph.com

E/G Electro-Graph, Inc.
2365 Camino Vida Roble
Carlsbad, CA 92011-1505
USA

ELECTRO-GRAPH®



2.12.110.1-4.15.03